

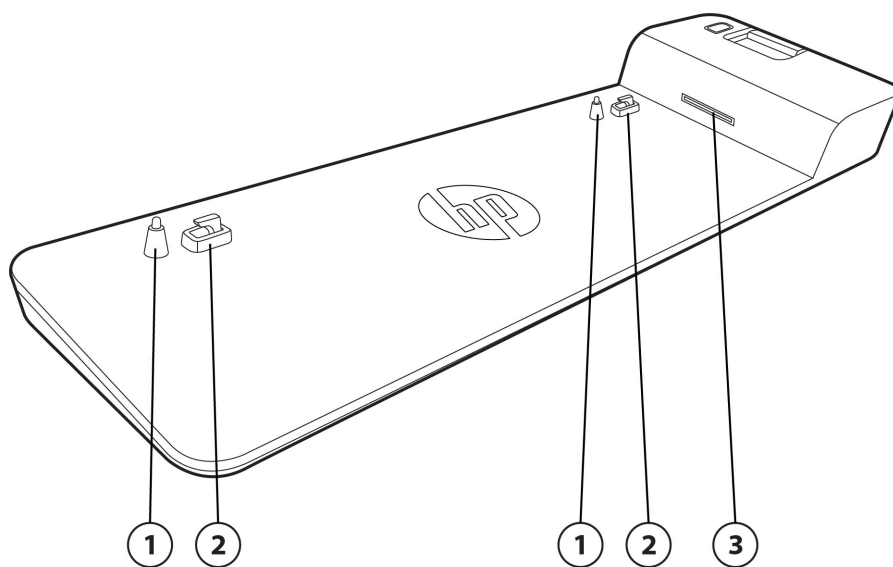
Overview

Models

2013 HP UltraSlim Docking Station **New!**

D9Y32AA

2013 HP UltraSlim Docking Station – Front side

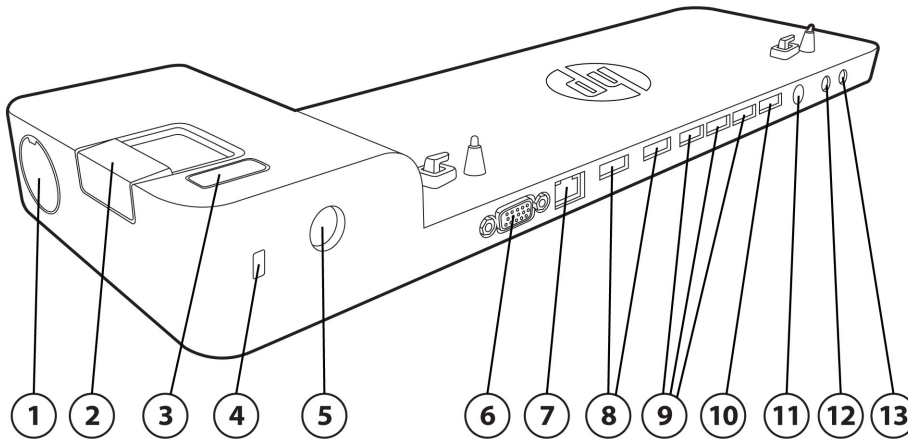


- 1. Docking posts
- 2. Locking mechanism (lock not included)

- 3. Side docking connector

Overview

2013 HP UltraSlim Docking Station – Rear side



- | | |
|--|-------------------------------|
| 1. Docking station cable lock slot (lock not included) | 8. DisplayPort 1.2 (2) |
| 2. Connection button | 9. USB 3.0 ports (3) |
| 3. Power on/off | 10. USB 3.0 charging port (1) |
| 4. Lock slot (lock not included) | 11. Power connector |
| 5. Docking station cable lock slot (lock not included) | 12. Line in jack |
| 6. VGA port | 13. Line out jack |
| 7. LAN/Ethernet port | |

Overview

2013 HP UltraSlim Docking Station - D9Y32AA#XX

Front Components

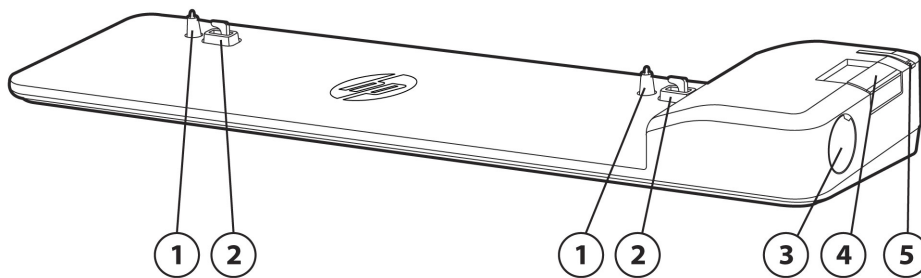
Docking posts (2)	Align and secure the computer for proper connection to the docking station
Computer connect/ release mechanisms (2)	Connect and release the computer when you press the connection button
Docking connector	Docking connector for notebook
Connect button	Secures and releases the computer Slide in to secure the computer Slide out to release the computer
LEDs	AC present: aqua white; Dock connected: white; two RJ45 LEDs: amber/green

Rear Components

AC power port	Energy-efficient 65W Smart AC adapter features integrated surge protection to help against power fluctuations.
Integrated cable lock slot	Supports the HP Docking Station Cable Lock with a simplified locking mechanism. Gives you two security options: lock the docking station only (which also prevents access to the Station drive bay); or lock both the docking station and your notebook for additional security. Also supports an industry standard notebook lock.
Network connectors	RJ-45 / Ethernet pass thru
USB ports	3 USB 3.0 ports, 1 USB 3.0 charging port
Audio connectors	Line-In; Line-Out
Other connectors	VGA, DisplayPort 1.1a (DP 1.2 capable)

NOTE: Your computer, docking station, and monitor must all support USB 3.0 and DisplayPort 1.2 to benefit from the advanced speeds or features that these technologies provide. If one of the devices does not support these technologies, you will still have USB 2.0 and DisplayPort 1.1 functionality.

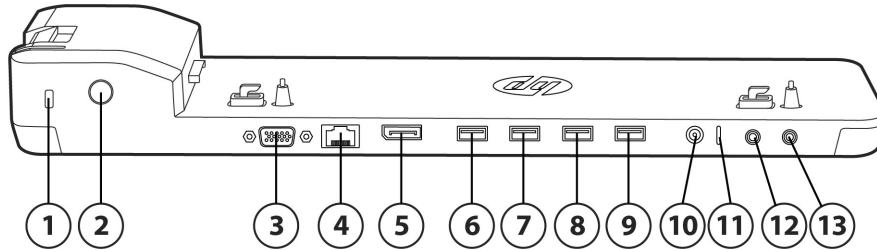
HP UltraSlim Docking Station – Front side



1. Docking posts
2. Locking mechanism (lock not included)
3. HP Dock Station Cable Lock slot (Lock not included)
4. Connect button
5. Connect light

Overview

HP UltraSlim Docking Station – Rear side



- | | |
|--|--|
| 1. Lock slot (lock not included) | 8. USB 3.0 port |
| 2. HP Dock Station Cable Lock slot (Lock not included) | 9. Powered USB 3.0 port |
| 3. VGA port | 10. Power connector |
| 4. LAN/Ethernet jack | 11. Power in LED (indicates docking station is plugged in) |
| 5. DisplayPort 1.1a (1.2 capable) | 12. Line in jack |
| 6. USB 3.0 port | 13. Line out jack |
| 7. USB 3.0 port | |

HP UltraSlim Docking Station

Front Components

Docking posts (2)	Align and secure the computer for proper connection to the docking station
Computer connect/ release mechanisms (2)	Connect and release the computer when you press the connect button
Docking connector	Docking connector for notebook
Connect button	Secures and releases the computer Slide in to secure the computer Slide out to release the computer
LEDs	AC present: aqua white; Dock connected: white; two RJ45 LEDs: amber/green

Rear Components

AC power port	Energy-efficient 65W Smart AC adapter features integrated surge protection to help against power fluctuations.
Integrated cable lock slot	Supports the HP Docking Station Cable Lock with a simplified locking mechanism. Gives you two security options: lock the docking station only (which also prevents access to the Station drive bay); or lock both the docking station and your notebook for additional security. Also supports an industry standard notebook lock.
Network connectors	RJ-45 / Ethernet pass thru
USB ports	3 USB 3.0 ports, 1 USB 3.0 charging port
Audio connectors	Line-In; Line-Out
Other connectors	VGA, DisplayPort 1.1a (DP 1.2 capable)

NOTE: Your computer, docking station, and monitor must all support USB 3.0 and DisplayPort 1.2 to benefit from the advanced speeds or features that these technologies provide. If one of the devices does not support these technologies, you will still have USB 2.0 and DisplayPort 1.1 functionality.